



## CLASSIFICATION

- Type B(U)
- IAEA TS-R-1, 2005 Edition

## ALLOWED CONTENTS

- Special form radioactive material and sealed radioactive sources (like Pu, Cs, Ir, Am, Sr, Co, Ra, ...)
- Including neutron emitters (like Cf, Cm, Am/Be, Cm/Be, Pb/Be, Po/Be, Pu/Be, ...)

Type B(U) packaging for transport and storage of special form radioactive materials or sealed radioactive sources, including irradiator heads. Allowed transport modes: all modes of transport. Different shieldings can be installed to accommodate the radiological characteristics of the content: depleted Uranium, Tungsten, Lead, Concrete.

### Dimensions

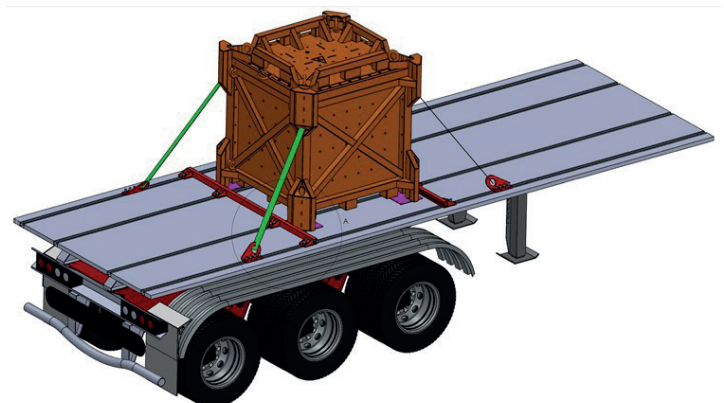
	External dimensions	Inner dimensions
Length	1 762 mm	Depending of the shielding
Width	1 762 mm	
Height	1 784 mm	

### Weights

	Kg	Lbs
Gross weight	10 330 kg	22 774 lbs

### Allowed radionuclides

<sup>22</sup>Na, <sup>32</sup>P, <sup>60</sup>Co, <sup>75</sup>Se, <sup>90</sup>Sr, <sup>109</sup>Cd, <sup>124</sup>Sb, <sup>131</sup>I, <sup>137</sup>Cs, <sup>147</sup>Pm, <sup>152</sup>Eu, <sup>192</sup>Ir, <sup>226</sup>Ra, <sup>238</sup>Pu, <sup>239</sup>Pu, <sup>240</sup>Pu, <sup>241</sup>Am, <sup>252</sup>Cf, <sup>242</sup>Cm, <sup>244</sup>Cm, <sup>241</sup>Am/Be, <sup>242</sup>Cm/Be, <sup>244</sup>Cm/Be, <sup>210</sup>Pb/Be, <sup>210</sup>Po/Be, <sup>238</sup>Pu/Be, <sup>239</sup>Pu/Be



*This packaging is operated in close collaboration with NCT, France.*